

LED Navigation Light Upgrade
Airbus A318/A319/A320/A321 family



right attitude / right approach / right alongside
www.goodrich.com


GOODRICH

LED Navigation Light Upgrade for A318/A319/A320/A321 family



Goodrich Lighting Systems is pleased to offer new LED Navigation Lights for direct replacement application for Airbus A318, A319, A320 and A321.

The new LED technology significantly reduce operating costs and increase reliability and equipment performance.

This type of Goodrich LED Navigation Light technology is currently certified as OEM equipment for the Airbus A380 and is pending OEM certification for the Bombardier Challenger 300.

STC/PMA certification has been received for the A318/A319/A320/A321 aircraft fleets.



No aircraft modification necessary when upgrading to LED Navigation lights



4 High Power LEDs with custom designed molded lens and reflectors

Goodrich LED Navigation Light Kits 2LA285022-01/-02:

- 20,000 operating hours rated life of the LEDs in compliance with FAR/JAR intensity requirements
- No aircraft modification
- Weight savings up to 1,72 kg (3.8 lbs)
- Significantly reduce departure delays for Navigation Lights
- Less power consumption
- Vibration tolerant



Servicing and Preventive Maintenance

No preventive maintenance is necessary!

Servicing of the Goodrich LED Navigation Lights will simply be a periodic visual inspection for cracking of lenses and ensuring the general cleanliness of the lens covers.

Easy Installation

Easy Installation can be accomplished as a direct replacement utilizing existing connectors. Kit includes new mounting bracket for existing holes.

Increased Performance & Lower Maintenance Cost

The LED technology dramatically improves performance:

From 200 rated hours (Incandescent) or 2,000 rated hours (Halogen) up to 20,000 hours!

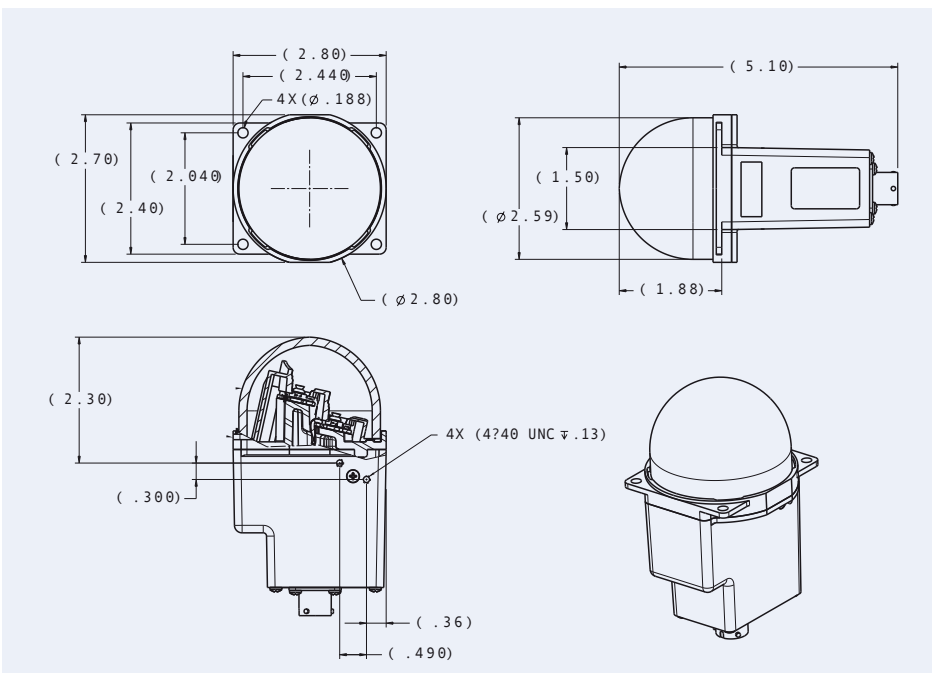
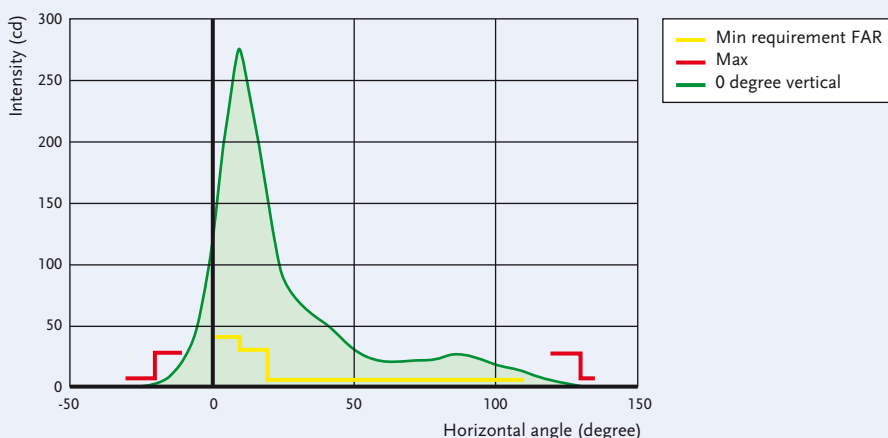
This increased performance greatly reduces maintenance and delay costs attributable to constant re-lamping which involves repeat lens removals and re-installations. LED's also eliminate/reduce lamp inventories necessary for high volume re-lamping.

LED Navigation Light Kits 2LA285022-01/-02

Technical Data

- Light source: High Power LEDs (4x)
- LED lifetime: 20,000 operating hours
- Light color:
 - 01: Aviation red (left wingtip)
 - 02: Aviation green (right wingtip)
- Input voltage: 115 VAC, 360 to 800 Hz
- Input current: 100 mA max.
- Power consumption: 15 W max.
- Weight: 0,408 kg (0.9 lbs) max.

Typical intensity distribution in the horizontal plane (right, green)





**Lighting Systems
Goodrich Interiors**

Bertramstrasse 8
59557 Lippstadt/Germany
Tel.: +49 2941 7676-0
Fax: +49 2941 7676-8432
Sita: PADHECR

129 Fairfield Street
Oldsmar, FL 34677
Tel.: +1 813 891-7100
Fax: +1 813 855-5572
Sita: TOAHAXD

www.goodrich.com

lighting@goodrich.com